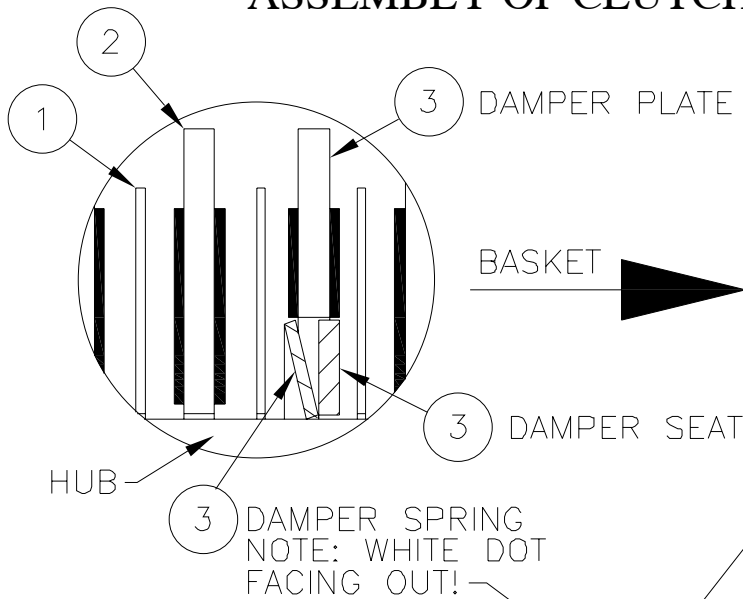
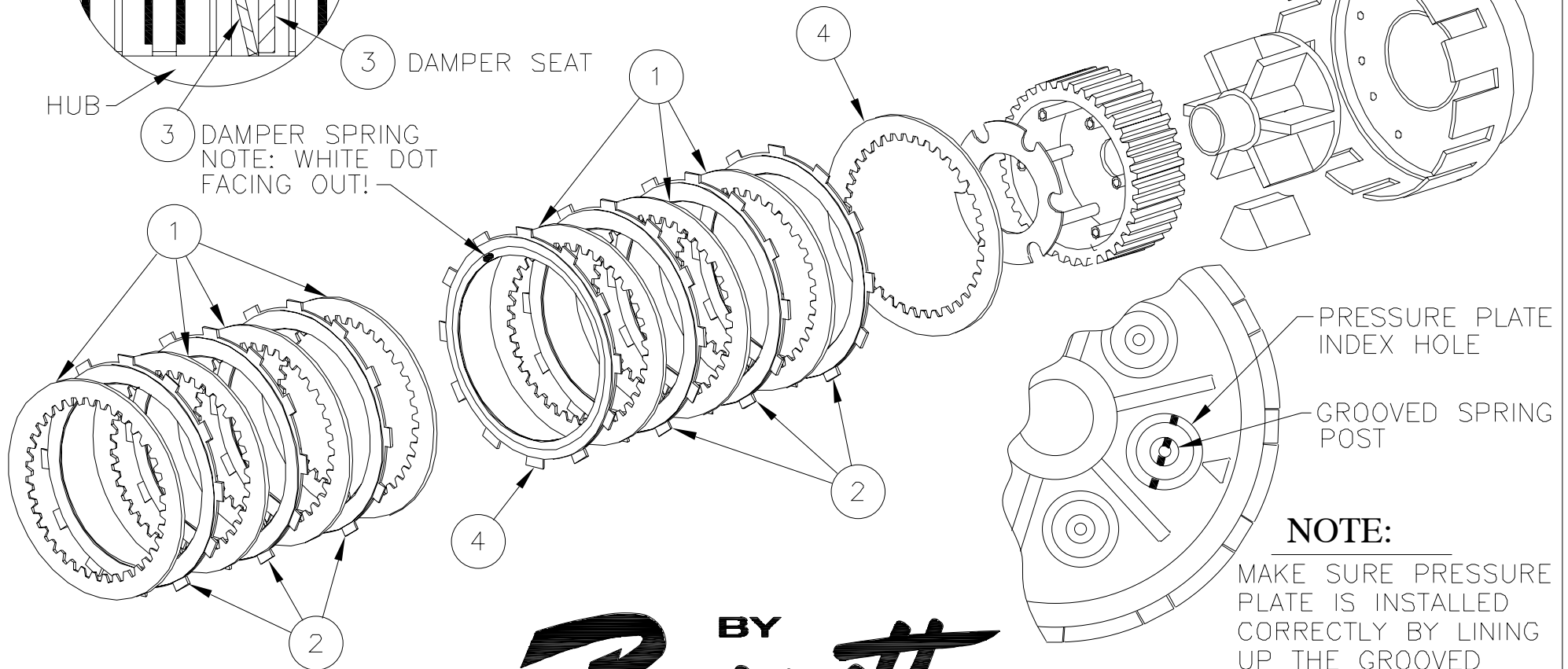


ASSEMBLY OF CLUTCH #527-9MA CLUTCH KIT



NO.	DESCRIPTION	QTY.
1	DRIVEN PLATE, STEEL	7
2	DRIVING PLATE, FRICTION	6
3	B PLATE, DAMPER SPRING & SEAT	1
4	THICK DRIVE PLATE - THICK (.125)	1



NOTE:

MAKE SURE PRESSURE PLATE IS INSTALLED CORRECTLY BY LINING UP THE GROOVED SPRING POST WITH THE GROOVED AND ARROWED HOLE IN PRESSURE PLATE.

BY
Barnett