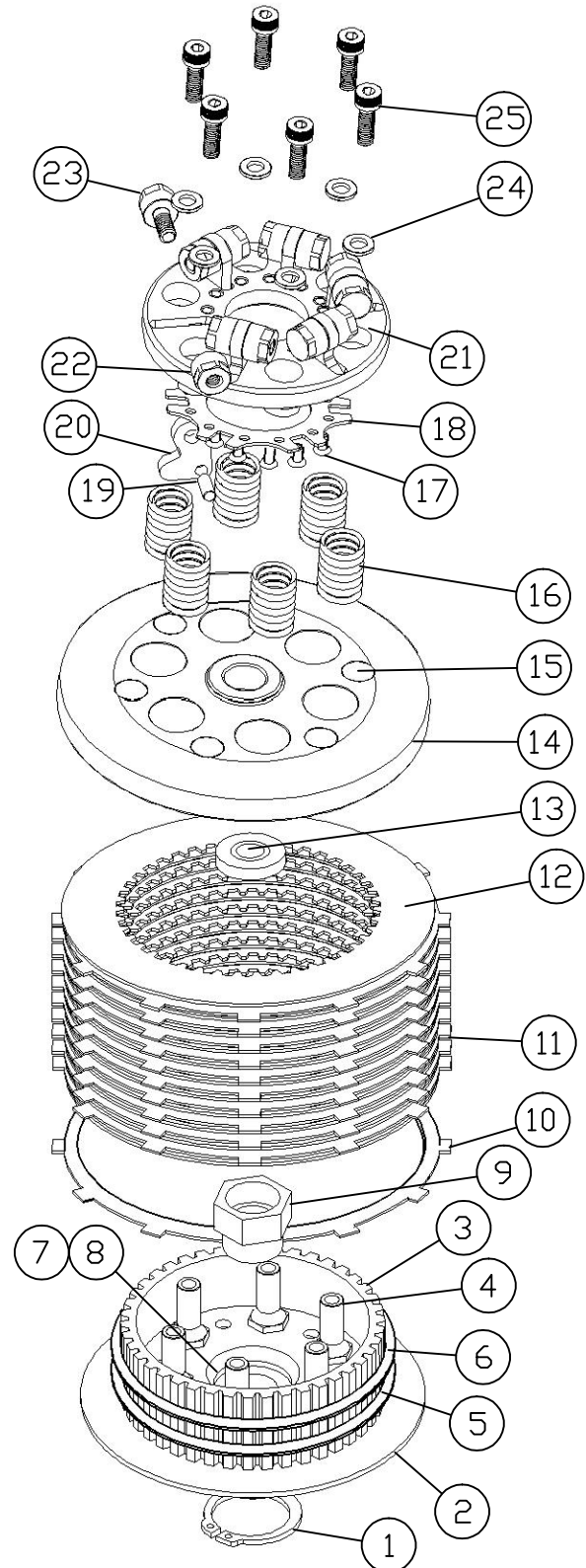


## SCORPION CLUTCH ASSEMBLY PART #608-30-33710



No.	Qty	Part #	Description
1	1	606-30-10111	Snap Ring
2	1	606-30-10902	Clutch Hub
3	1	606-30-10903	Clutch Disk Spline
4	6	606-30-10905	Clutch Mount Stud
5	1	506-00-22489	Damper Spring Seat (Flat)
6	1	506-00-21458	Damper Spring (Dished)
7	1	606-30-10106	Shaft Position Washer
8	1	606-30-10107	Bellville Washer
9	1	606-30-10208	OEM Nut (Optional)
10	1	301-32-11421	Friction "B" Plate
11	9	301-32-10421	Friction Plate
12	10	401-32-051432	Steel Drive Plate
13	1	606-30-10511	Throw Out Bearing
14	1	606-30-33851	Clutch Pressure Plate
15	6	606-30-21057	Pressure Plate Insert
16	6	501-57-01007	Clutch Spring-Gold 58# @ 1"
16	6	501-82-01023	Clutch Spring-Green 82# @ 1"
17	12	600-30-30300	Stainless Steel Rivet
18	1	600-30-33806	Lock-Up Clamp
19	6	600-30-89206	3/16 x 7/16 Steel Dowel Pin
20	6	606-30-23853	Lock-Up Fingers
21	1	606-30-23785	Lock-Up Head
22	6	600-30-96250	Weight Nut
23	6	600-30-95250	Weight Screw
24	6	600-30-02006	M6 Alum Flat Washer
25	6	600-30-71630	6MM x 1 x 30MM Blue SHCS
26	1	606-30-10010	Seal Main Shaft (Optional)