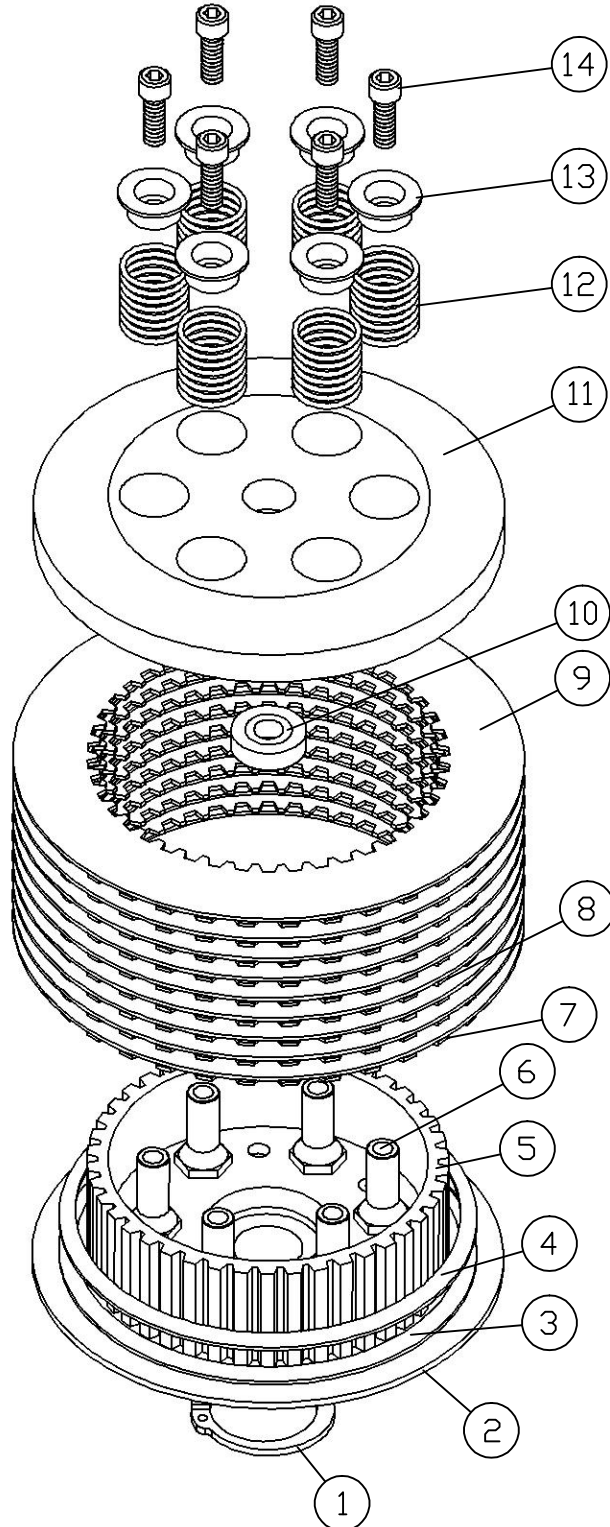


SCORPION BILLET CLUTCH ASSEMBLY PART #607-30-10091



No.	Qty	Part #	Description
1	1	606-30-10111	Snap Ring
2	1	606-30-10502	Clutch Hub
3	1	506-00-22159	Damper Spring Seat (Flat)
4	1	506-00-21458	Damper Spring (Dished)
5	1	606-30-10503	Clutch Disk Spline
6	6	606-30-10505	Clutch Mount Stud
7	1	301-32-41123	Friction "B" Plate
8	8	301-32-40123	Friction Plate
9	1	401-32-047131	Steel Drive Plate
9	8	401-30-041130	Steel Drive Plate
10	1	606-30-10511	Throw Out Bearing
11	1	606-30-10504	Clutch Pressure Plate
12	6	501-58-01018	Clutch Spring-Gold 58# @ 3/4
12	6	501-70-01112	Clutch Spring-Silver 70# @ 3/4
12	6	501-80-01113	Clutch Spring-White 80# @ 3/4
14	6	519-99-01090	Spring Cup
15	6	606-30-10613	6mm x 1 x 12mm SHCS